

VALENT DEDICATED OUTDOOR AIR SYSTEMS

OUTDOOR AIR EXPERTS

Valent was one of the first to specialize in high outdoor air units, which can be more challenging to design than recirculated air units.

ROBUST DESIGN

Valent uses quality components and can build in numerous configurations. Casings are sturdy, easy to maintain, have multiple access doors, and are well insulated.

DEDICATED SUPPORT

Our commitment to quality and extensive end-of-line testing reduce your need to call tech support but, if you do, we'll help with issues before and after the sale.

SHORT LEAD TIMES

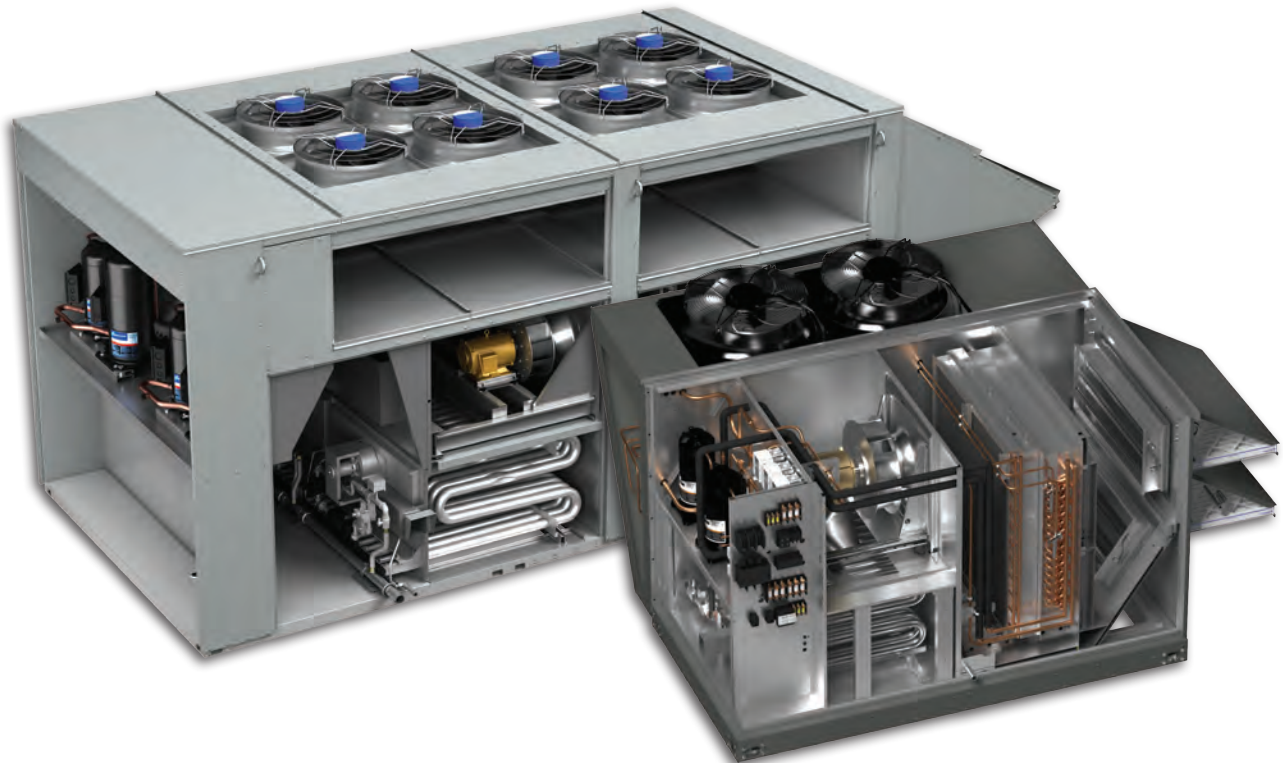
98% on-time shipping and Valent production capacity in four locations mean lead times are short, even in high-demand seasons.

EASY, EFFICIENT CONTROLS

Preconfigured control sequences, embedded web user interface, seamless interoperability, and on-screen refrigeration detail provide easy and reliable unit control.

HIGHLY CONFIGURABLE

Valent offers quality components in multiple configurations, including inverter compressors, ultra-quiet condenser fans, and up to 16:1 turndown furnaces.



VALENT UNITS AT A GLANCE

		VX, VXE CASING				VPR, VPRX, VPRE, VPRP, VPRC CASING					
		112	212	312	352	V10	110	210	310	352	
AIRFLOW	Minimum^a (cfm)	800	2,250	3,750	3,900	550	645	1,290	3,225	3,900	
	Maximum^a (cfm)	5,750	9,500	16,000	18,000	3,000	4,300	8,000	12,100	18,000	
COOLING TYPE	Packaged, air cooled	Tons	Tons	Tons	Tons	Tons	Tons	Tons	Tons	Tons	
		5	15	25	30	4	5	10	25	30	
		7.5	17.5	30	40	5	8	13	30	40	
		10	20	40	50	6	10	16	35	50	
		12.5	25	50	60	7	—	18	40	60	
		15	30	—	70	—	—	20	—	70	
		—	—	—	—	—	—	25	—	—	
	Split, air cooled^b	5	15	Not available	Not available	Not available	Not available	Not available	Not available	Not available	Not available
		7.5	17.5								
		10	20								
		12.5	25								
		15	30								
		—	—								
	Chilled water	Available	Available	Available	Available	Not available	Available	Available	Available	Available	Available
	Water source heat pump	Not available	Not available	Not available	Not available	Not available	Not available	5	10	25	30
8								13	30	40	
10								16	35	50	
—								18	40	60	
—								20	—	—	
—	25	—	—								
Air source heat pump	Available	Available	Not available	Not available	Not available	Not available	Not available	Not available	Not available	Not available	
No cooling	Option	Option	Option	Option	Option	Option	Option	Option	Option	Option	
COOLING COMPONENTS	Digital Scroll compressor	Standard	Standard	Standard	Standard	N/A	Standard	Standard	Standard	Standard	
	Inverter scroll compressor^c	Option	Option	Option	Option	Standard	Option	Option	Option	Option	
	Modulating hot gas reheat	Option	Option	Option	Option	Option	Option	Option	Option	Option	
	Staged AC condensing fans	Standard	Standard	Standard	Standard	Not available	Standard	Standard	Standard	Standard	
	Modulating EC condensing fans^d	Option	Option	Option	Option	Standard	Option	Option	Option	Option	

VALENT UNITS AT A GLANCE

		VX, VXE CASING				VPR, VPRX, VPRE, VPRP, VPRC CASING				
		112	212	312	352	V10	110	210	310	352
INDIRECT GAS FURNACE	Minimum (MBh)	100	300	600	600	75	100	200	400	600
	Maximum (MBh)	300	500	1,200	1,200	200	200	400	800	1,200
	Turndown (NG)	Up to 16:1	Up to 16:1	Up to 16:1	Up to 10:1	Up to 10:1	Up to 10:1	Up to 10:1	Up to 10:1	Up to 10:1
	Turndown (LP)	Up to 16:1	Up to 16:1	Up to 16:1	Up to 6:1	Up to 6:1	Up to 6:1	Up to 6:1	Up to 6:1	Up to 6:1
ELECTRIC HEAT	Minimum (kW)	15	35	35	50	Not available	10	15	40	50
	Maximum (kW)	60	120	240	200	Not available	50	125	150	200
OTHER HEAT	Air source heat pump	Available	Available	Not available	Not available	Not available	Not available	Not available	Not available	Not available
	Hot water	Option	Option	Option	Option	Not available	Option	Option	Option	Option
	Temperator	Not available	Not available	Not available	Not available	Not available	Option	Option	Option	Not available
	Steam coil	Option	Option	Option	Option	Not available	Option	Option	Option	Option
ENERGY RECOVERY	Wheel Polymer	Option	Option	Option	Option	Not available	Option	Option	Option	Option
	Wheel Aluminum	Not available	Not available	Not available	Not available	Not available	Option	Option	Option	Option
	Enthalpic plate	Not available	Not available	Not available	Not available	Not available	Option	Option	Option	Option
	Flat plate Aluminum	Not available	Not available	Not available	Not available	Not available	Option	Option	Option	Option
CONTROLS	Full controls	Standard	Standard	Standard	Standard	Standard	Standard	Standard	Standard	Standard
	Heat-cool only	Option	Option	Option	Option	N/A	Option	Option	Option	Option
CONSTRUCTION	Insulation	2" double-wall R-13	2" double-wall R-13	2" double-wall R-13	2" double-wall R-13	2" double-wall R-13	2" double-wall R-13	2" double-wall R-13	2" double-wall R-13	2" double-wall R-13
	Exterior	Gray prepainted	Gray prepainted	Gray prepainted	Gray prepainted	Gray prepainted	Gray prepainted	Gray prepainted	Gray prepainted	Gray prepainted
	Interior	Galvanized	Galvanized	Galvanized	Galvanized	Galvanized	Galvanized	Galvanized	Galvanized	Galvanized
CERTIFICATION	AHRI 1060	Compliant	Compliant	Compliant	Compliant	Not applicable	Compliant	Compliant	Compliant	Compliant
	ASHRAE 90.1-2013	Compliant	Compliant	Compliant	Compliant	Compliant	Compliant	Compliant	Compliant	Compliant
	DOE AHRI 340/360	Compliant	Compliant	Compliant	Compliant	Not applicable	Compliant	Compliant	Compliant	Compliant

Refer to Valent CAPS® selection software or the Valent Mechanical IOMs for additional detail.

a Based on packaged DX cooling, indirect gas heating, 100% outdoor air, 1.5 in. wg supply external and 0.5 in. wg return air static pressure

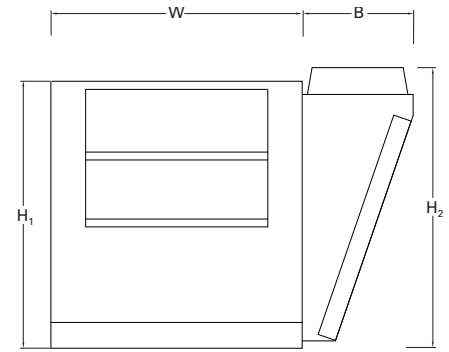
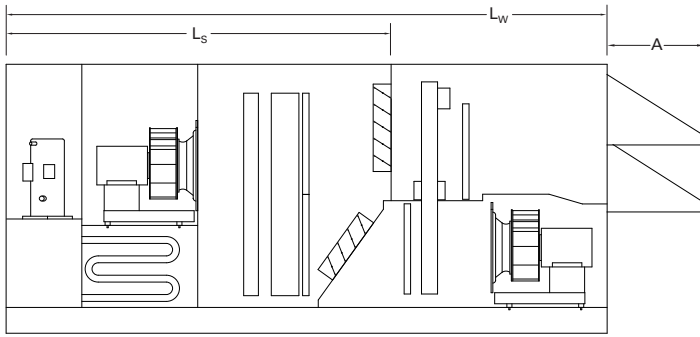
b Not available on 575 V units with EC condensing fans; not available with air source heat pump or inverter scroll compressors

c Not available on 575 V units

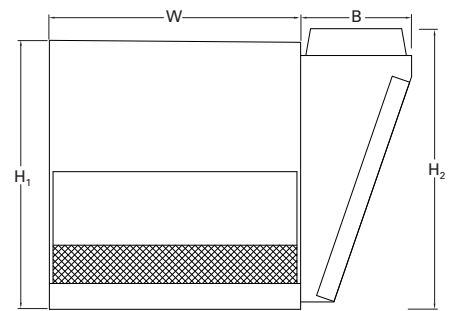
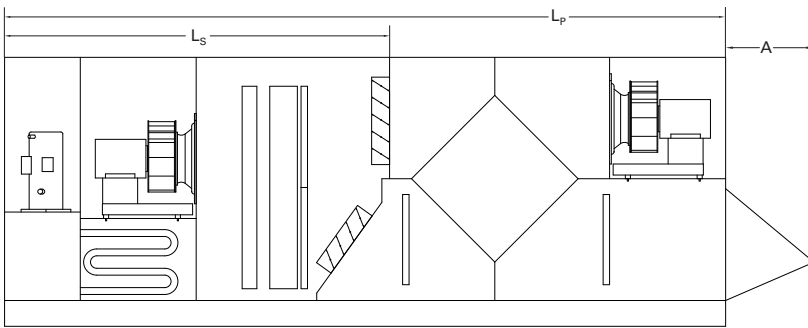
d Not available on 575 V VPR/X/E/P/C nor 575 V VX/E-352 units

DIMENSIONS AND WEIGHTS

Elevations with and without energy recovery wheel



Elevations with sensible and enthalpic flat plate heat exchangers



DIMENSIONS (inches), WEIGHTS (pounds)

		Height		Width	Length*	Length with wheel		Length with plate		Hood length	Condenser width	Nominal weight		
		H ₁	H ₂			L _w		L _p				VX/VPR	VPRE/VXE	VPRC
				Bottom return	Side return	Bottom return	Side return	A	B					
CASING	VX-112	60.2	65.9	52.5	98.6*	149.5*	180.5	N/A	N/A	22.1	33.9	2,700	3,400	N/A
	VX-212	73.1	76.2	68.2	109.0*	163.2*	197.3	N/A	N/A	27.1	30.1	4,500	5,100	N/A
	VX-312	98.8	101.3	98.0	155.2	247.9	N/A	N/A	N/A	38.3**	N/A	7,870	8,670	N/A
	VX-352	96.1	99.5	96.0	185.0	263.0	307.0	308.0	353.0	52.5	N/A	7,950	10,450	N/A
	VPR-V10	49.0	N/A	40.0	79.25	N/A	N/A	N/A	N/A	18.75	30.0	1,050	N/A	N/A
	VPR-110	58.0	55.5	49.0	119.0	158.0	185.0	197.0	224.0	21.5	30.0	1,900	2,700	2,900
	VPR-210	65.0	62.5	61.0	121.0	168.0	195.0	207.0	234.0	23.5	30.0	3,300	4,500	4,700
	VPR-310	85.0	82.5	68.0	131.0	178.0	205.0	242.0	269.0	33.5	30.0	4,500	5,900	6,400
	VPR-352	96.1	99.5	96.0	185.0	263.0	307.0	308.0	353.0	52.5	N/A	7,950	10,450	12,050

* Powered exhaust units with no energy recovery, whether bottom or side return, have the same length as the wheel units with bottom return. This applies to the VX-112 and VX-212.
 ** If the VX/E-312 has an exhaust fan, the exhaust blower bump-out will have a length of 53.7 inches.



OUTDOOR AIR EXPERTS | ROBUST DESIGNS | DEDICATED SUPPORT

valentair.com

Valent DS 112420